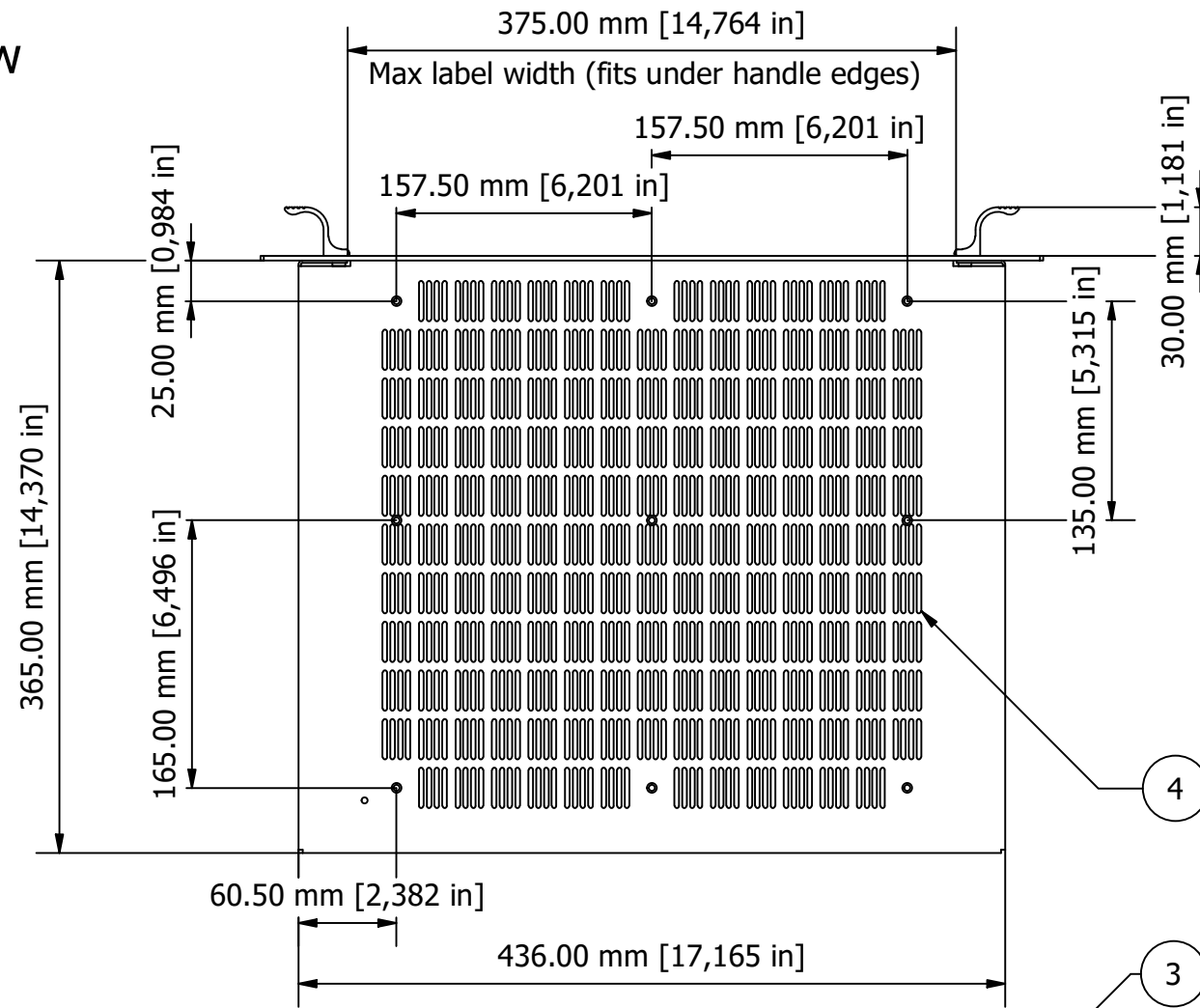
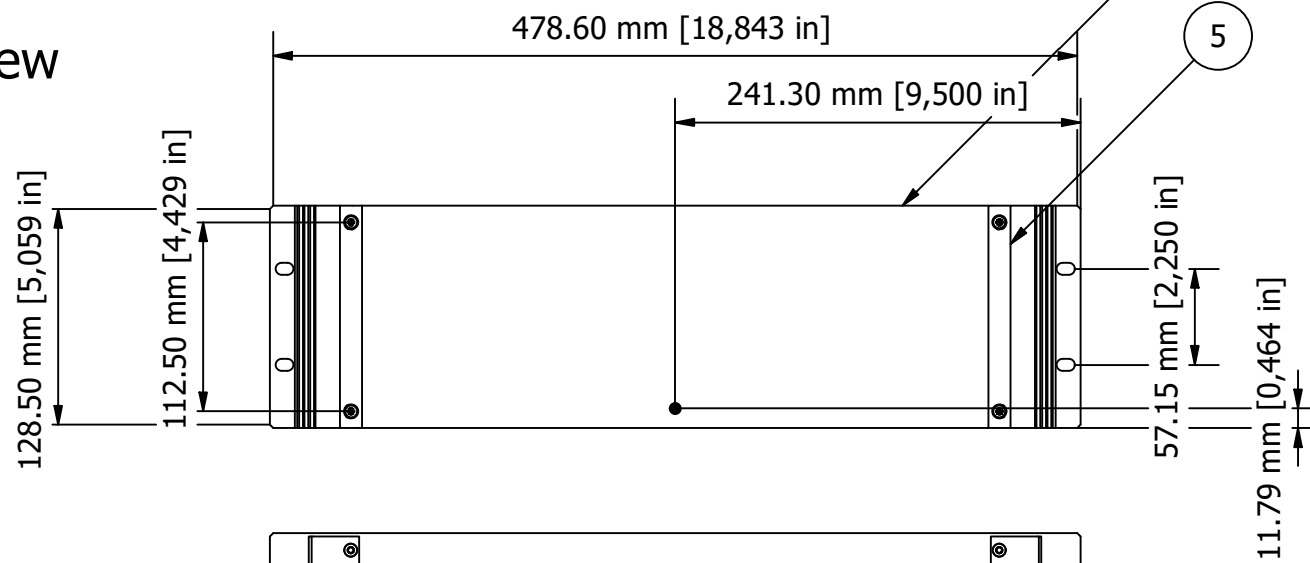


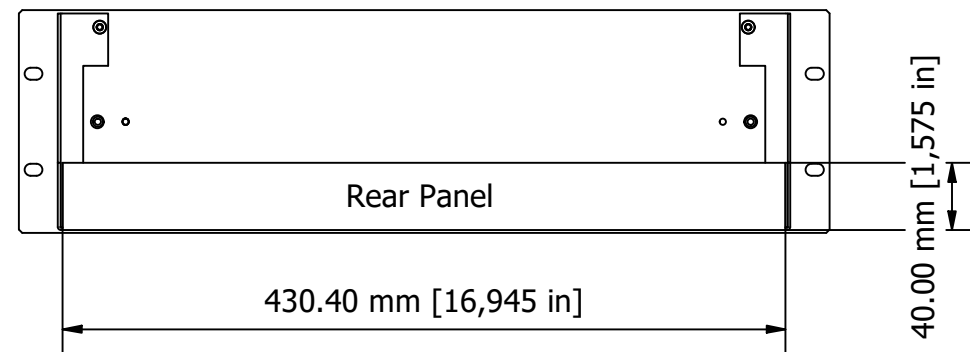
Base View



Front View



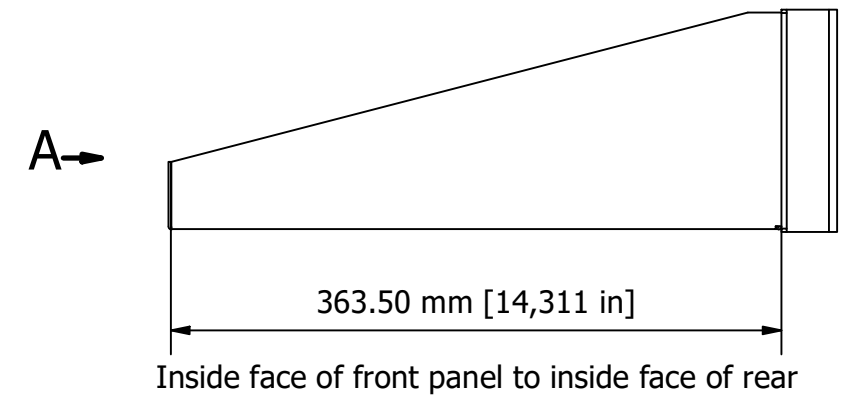
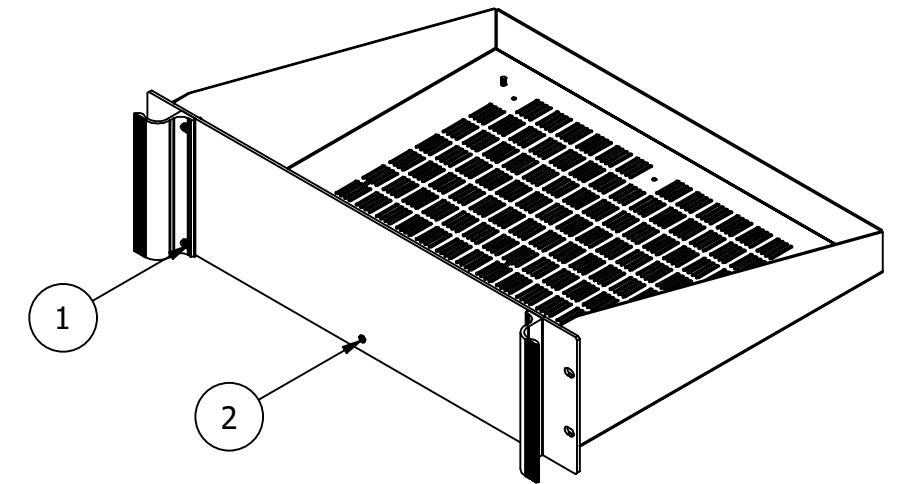
Rear View



PARTS LIST			
ITEM	QTY	PART NUMBER	DESCRIPTION
1	4	M4 x 16 mm CSK Screw	Handle Fixing Screws
2	1	M3 x 6 mm CSK Screw	Front Panel Support Screw
3	1	M6119130	Front Panel
4	1	M6103335	Tray
5	2	M6200305	Handles

Notes:

Case metalwork is made from 1.5 mm aluminium and painted RAL 7035 fine texture light grey.
 Front panel is made from 3 mm aluminium with a clear etch and anodise finish.
 Handles made from aluminium extrusion and painted RAL 7035 fine texture light grey.
 All parts fitted with M4 earth stud.



Side View

FIRST ANGLE PROJECTION

Designed by L Clark	Description Combimet Version T 3U x 19" x 365 mm - Grey	Date 03/02/2022	Scale 1:4.5
METCASE ENCLOSURES 15 Brunel Way, Segensworth East, Fareham, Hampshire, PO15 5TX, UK. Tel: +44 (0)1489 583858 Email: metcase@okw.co.uk		METcase™ www.metcase.com Part Number M6119335	
		Issue 2	Sheet 1 / 1