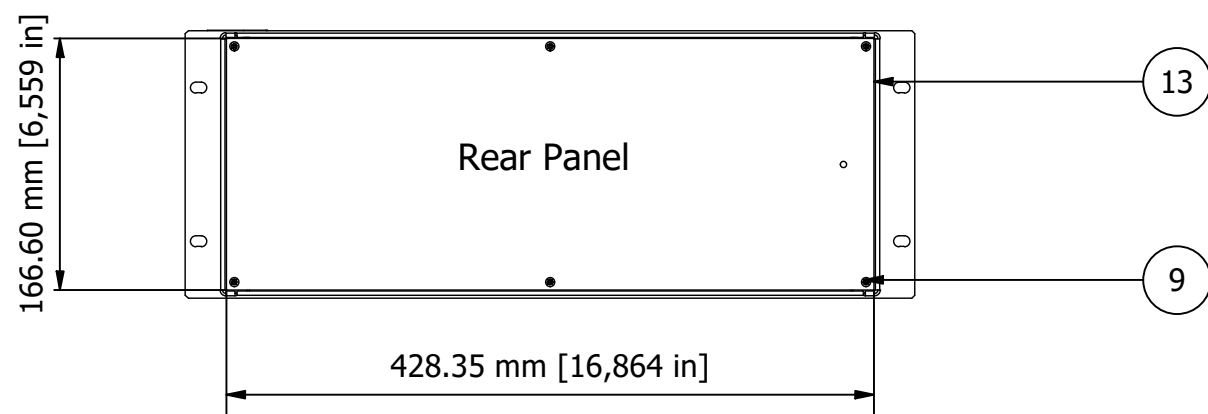
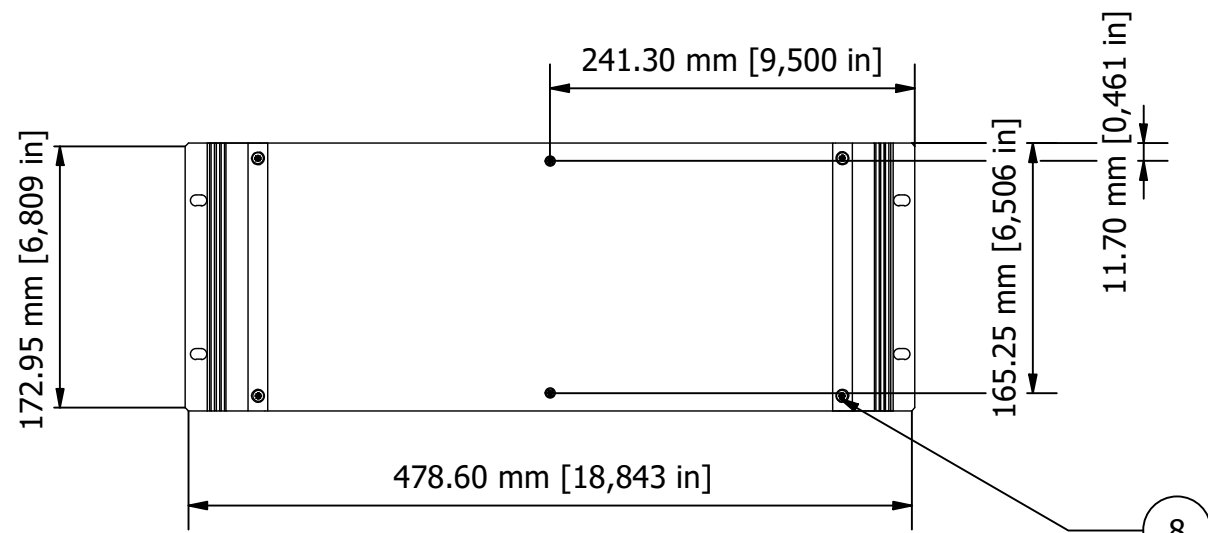


**NOTES.**

Case metalwork is made from 1.5 mm aluminium and painted RAL 7035 fine texture light grey.  
 Front panel is made from 3 mm aluminium with a clear etch & anodise finish.  
 Handles made from an aluminium extrusion & painted RAL 7035 fine texture light grey.  
 All parts are fitted with M4 studs for earth use.



PARTS LIST			
ITEM	QTY	PART NUMBER	DESCRIPTION
3	2	M6203045	Vented Covers
7	14	M3x8 CSK Screw	Assembly Screws
8	4	M4x16 Screw	Front Panel Screws
9	6	M3x8 Pan Screw	Rear Panel Screws
11	1	M6219040	Front Panel
12	2	M6202435	Side Panel
13	1	M6201045	Rear Panel
14	2	M6200405	Handles

FIRST ANGLE PROJECTION

Designed by L Clark	Description Combimet 4U x 19" x 265 mm Vented	Date 03/02/2022	Scale 1:5
<b>METCASE ENCLOSURES</b> 15 Brunel Way, Segensworth East, Fareham, Hampshire, PO15 5TX, UK. Tel: +44 (0)1489 583858 Email: metcase@okw.co.uk		<b>METcase™</b> www.metcase.com Part Number <b>M6219445</b>	
		Issue 2	Sheet 1 / 1