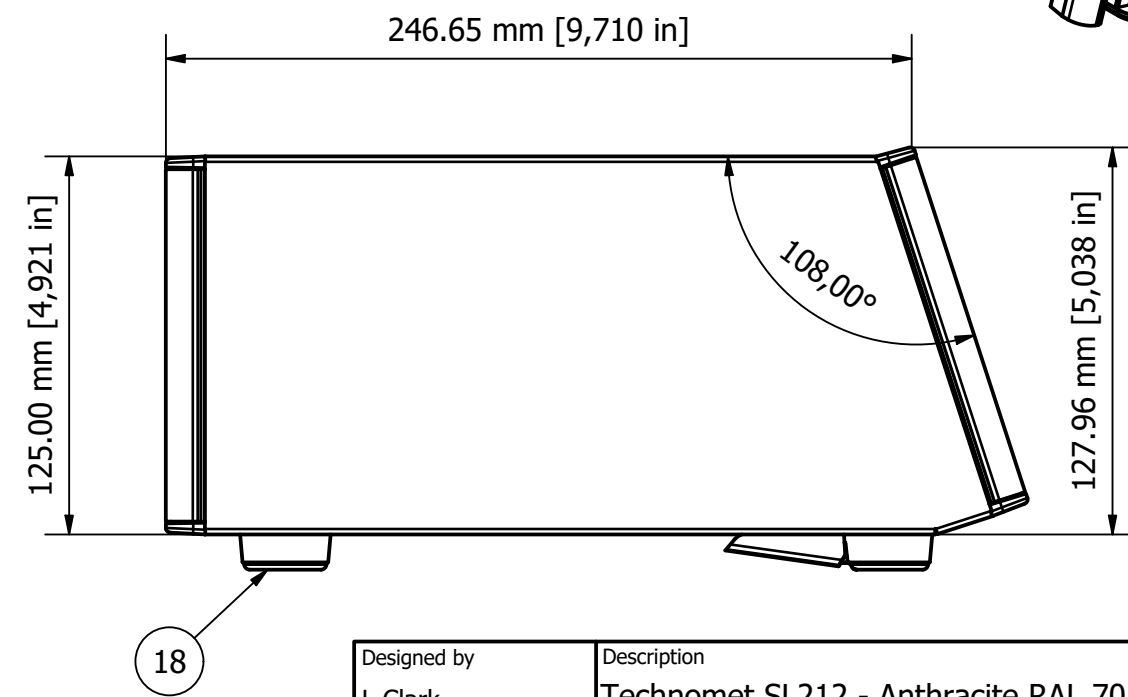
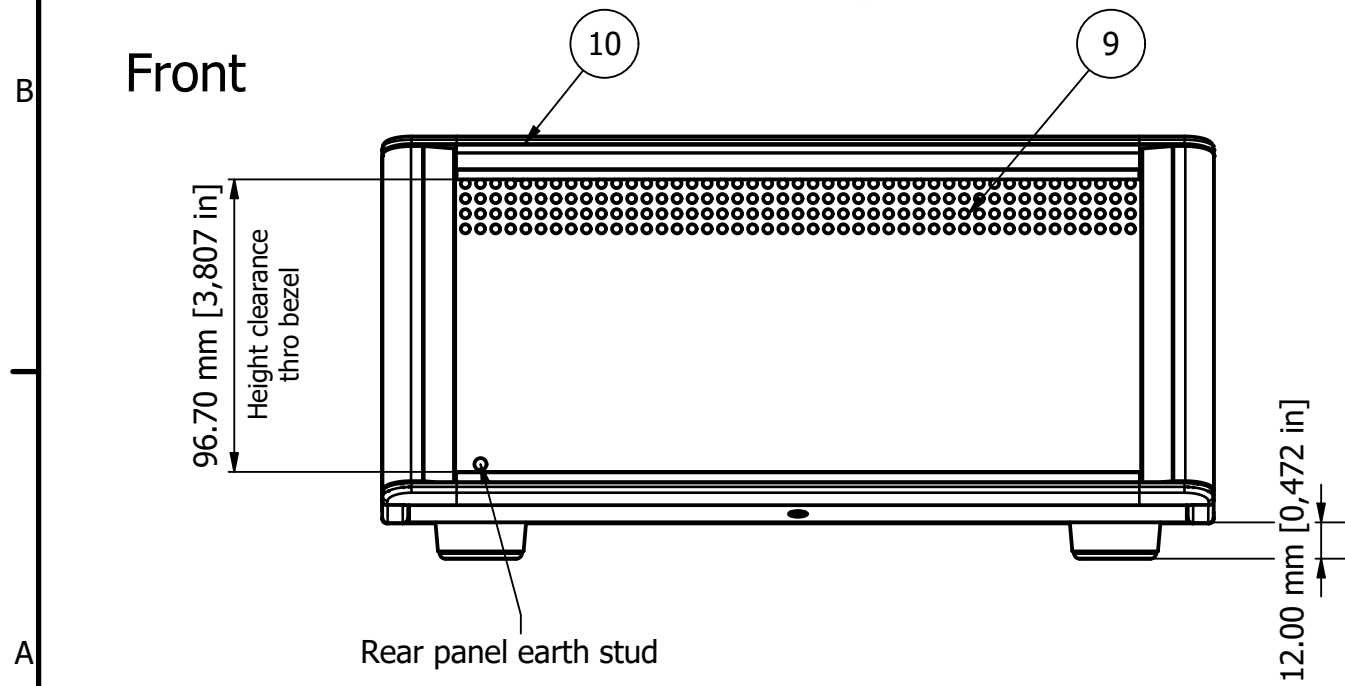
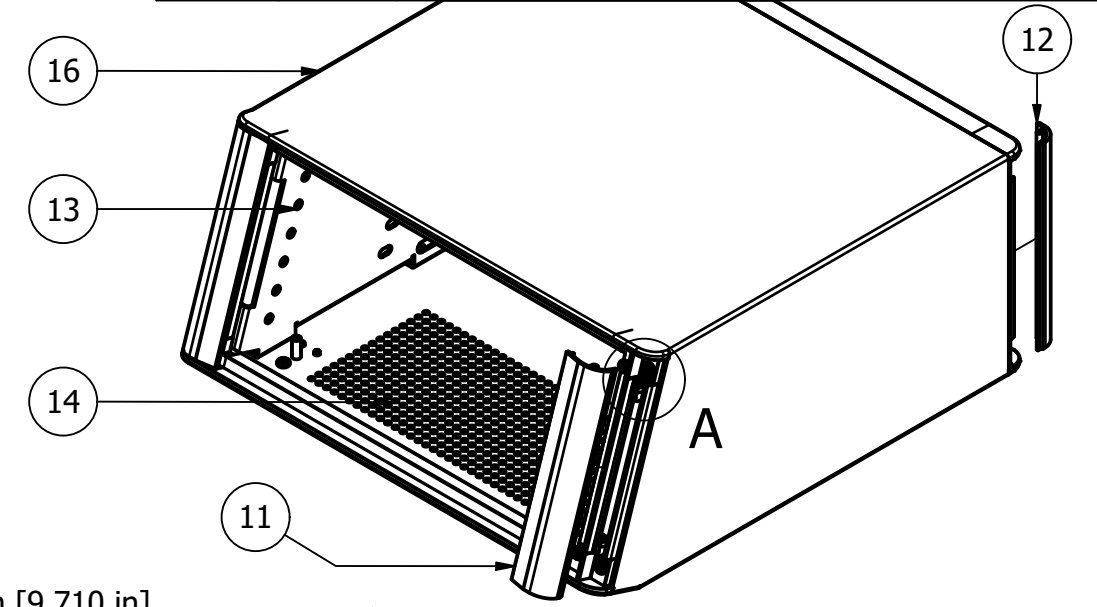


PARTS LIST			
ITEM	QTY	PART NUMBER	DESCRIPTION
1	8	M3x8mm Pan Screw	Rear/Front Panel Screws
2	8	M4x16mm CSK Screw	Bezel Screws
3	8	M3x6mm CSK Screw	Base Panel Screws
4	8	M6420000	Clip for Trims
9	1	M6403444	Rear Panel
10	2	M6401044	Front/Rear Bezel
11	2	M6400054	Front Trims
12	2	M6400074	Rear Trims
14	1	M6403121	Base Panel
13	1	M6403033	LH Chassis Panel
15	1	M6403034	RH Chassis Panel
16	1	M6402031	Wrap Around Cover
18	2	M6420204	Tilted Technofeet Kit



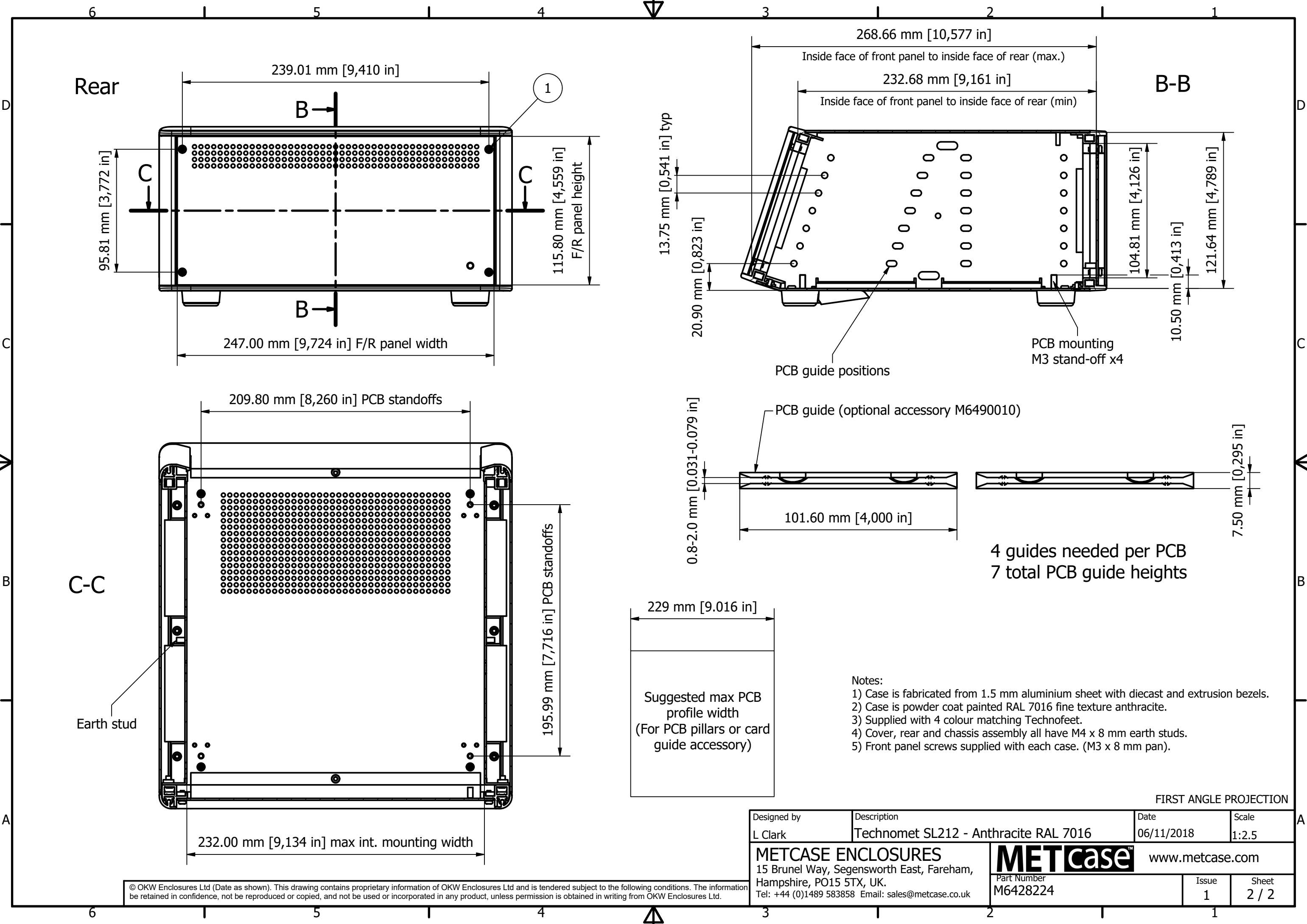
Side

FIRST ANGLE PROJECTION

Front panel (M6400703) sold separately

Designed by L Clark	Description Technomet SL212 - Anthracite RAL 7016	Date 06/11/2018	Scale 1:2.5
METCASE ENCLOSURES 15 Brunel Way, Segensworth East, Fareham, Hampshire, PO15 5TX, UK. Tel: +44 (0)1489 583858 Email: sales@metcase.co.uk		METcase™ www.metcase.com Part Number M6428224	
		Issue 1	Sheet 1 / 2

© OKW Enclosures Ltd (Date as shown). This drawing contains proprietary information of OKW Enclosures Ltd and is tendered subject to the following conditions. The information be retained in confidence, not be reproduced or copied, and not be used or incorporated in any product, unless permission is obtained in writing from OKW Enclosures Ltd.



Rear

B-B

C-C

FIRST ANGLE PROJECTION

95.81 mm [3,772 in]

239.01 mm [9,410 in]

115.80 mm [4,559 in]
F/R panel height

247.00 mm [9,724 in] F/R panel width

209.80 mm [8,260 in] PCB standoffs

195.99 mm [7,716 in] PCB standoffs

232.00 mm [9,134 in] max int. mounting width

Earth stud

268.66 mm [10,577 in]

Inside face of front panel to inside face of rear (max.)

232.68 mm [9,161 in]

Inside face of front panel to inside face of rear (min)

13.75 mm [0,541 in] typ

20.90 mm [0,823 in]

104.81 mm [4,126 in]

10.50 mm [0,413 in]

121.64 mm [4,789 in]

PCB guide positions

PCB mounting
M3 stand-off x4

PCB guide (optional accessory M6490010)

0.8-2.0 mm [0.031-0.079 in]

101.60 mm [4,000 in]

7.50 mm [0,295 in]

4 guides needed per PCB
7 total PCB guide heights

229 mm [9.016 in]

Suggested max PCB
profile width
(For PCB pillars or card
guide accessory)

Notes:

- 1) Case is fabricated from 1.5 mm aluminium sheet with diecast and extrusion bezels.
- 2) Case is powder coat painted RAL 7016 fine texture anthracite.
- 3) Supplied with 4 colour matching Technofeet.
- 4) Cover, rear and chassis assembly all have M4 x 8 mm earth studs.
- 5) Front panel screws supplied with each case. (M3 x 8 mm pan).

Designed by L Clark	Description Technomet SL212 - Anthracite RAL 7016	Date 06/11/2018	Scale 1:2.5
METCASE ENCLOSURES 15 Brunel Way, Segensworth East, Fareham, Hampshire, PO15 5TX, UK. Tel: +44 (0)1489 583858 Email: sales@metcase.co.uk		METcase ™ www.metcase.com Part Number M6428224	
		Issue 1	Sheet 2 / 2

© OKW Enclosures Ltd (Date as shown). This drawing contains proprietary information of OKW Enclosures Ltd and is tendered subject to the following conditions. The information be retained in confidence, not be reproduced or copied, and not be used or incorporated in any product, unless permission is obtained in writing from OKW Enclosures Ltd.