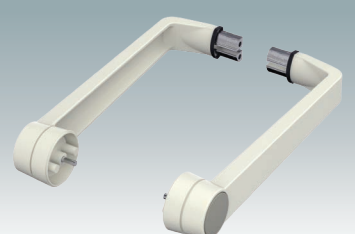
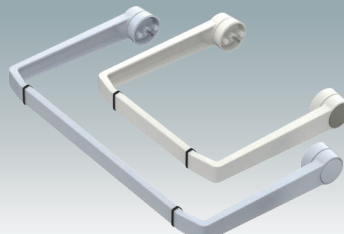
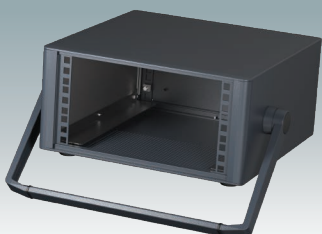
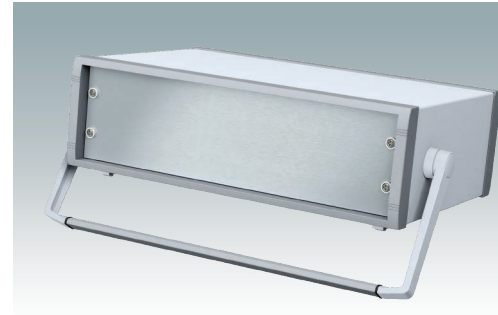
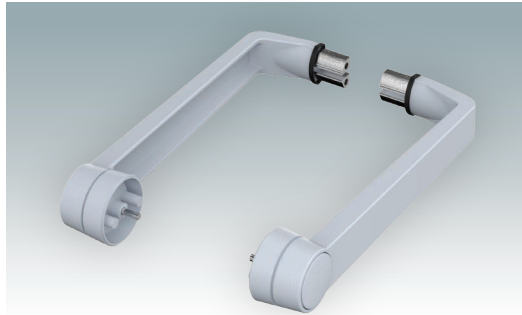
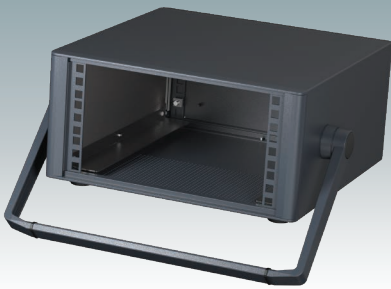
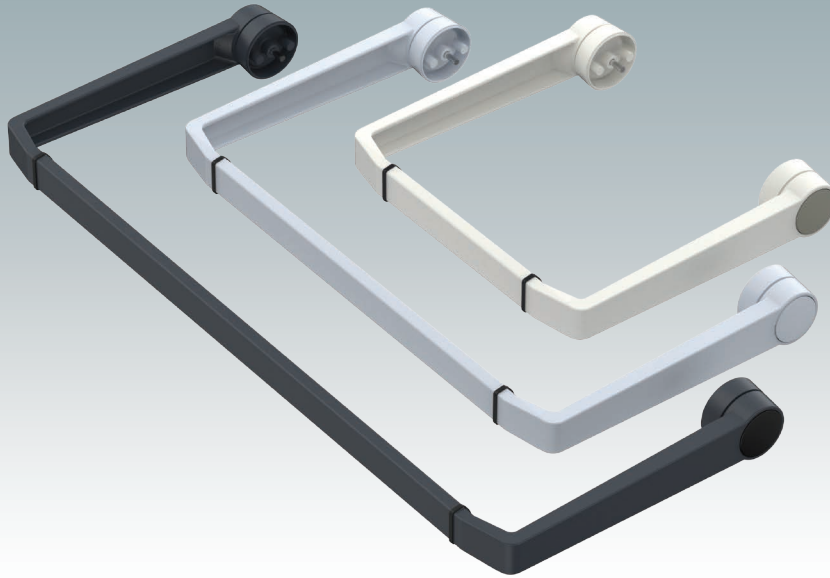


DIECAST HANDLE BARS

Universal Carry Handle
For Enclosures



HANDLE BARS



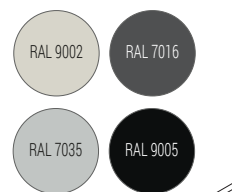
Universal Handle Bars For Portable Instrument Enclosures

Tilt and swivel carry handle bars made of diecast zinc for canting and carrying metal electronic enclosures. The strong push-button ratchet features 30° indexing. Aluminium handle profiles are ordered separately and fit between the two side arm assemblies. The handle profiles are supplied cut to the required length (26 mm shorter than the width of your enclosure). This is specified by completing the chosen handle profile part number.

In order to improve the stability, we recommend gluing the aluminium profiles to the side arms.

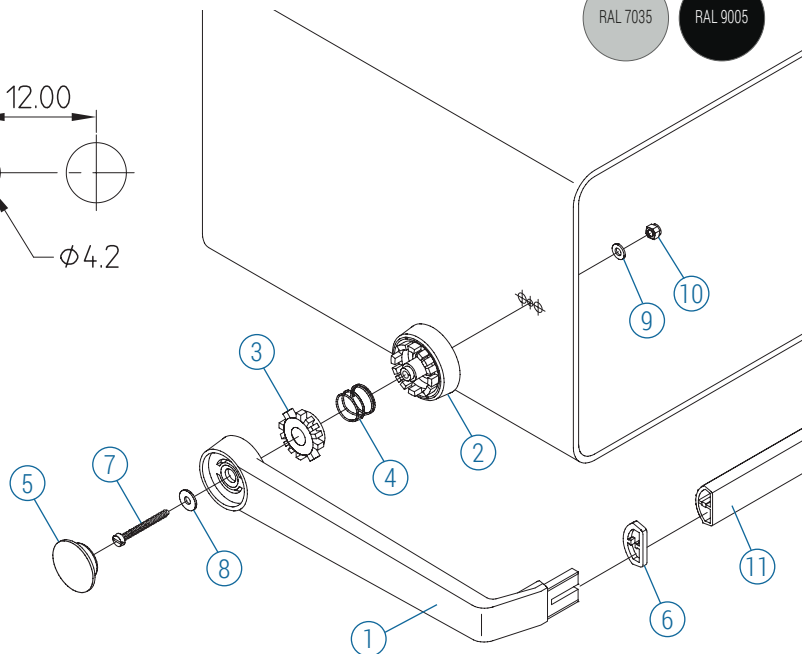
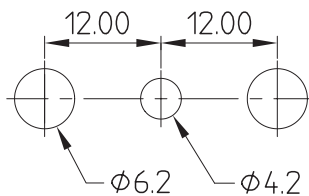
Standard colours

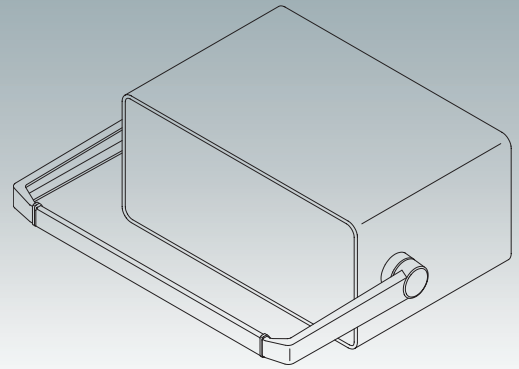
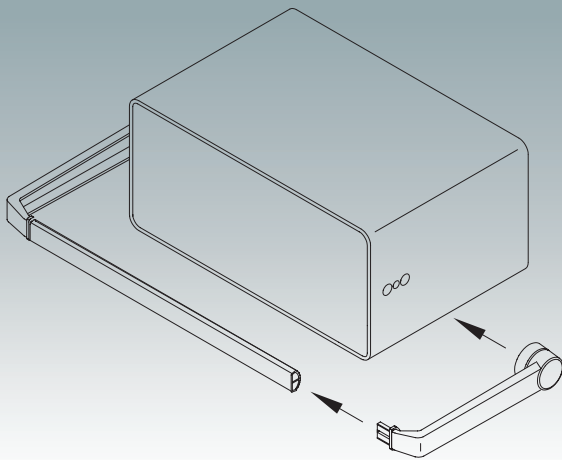
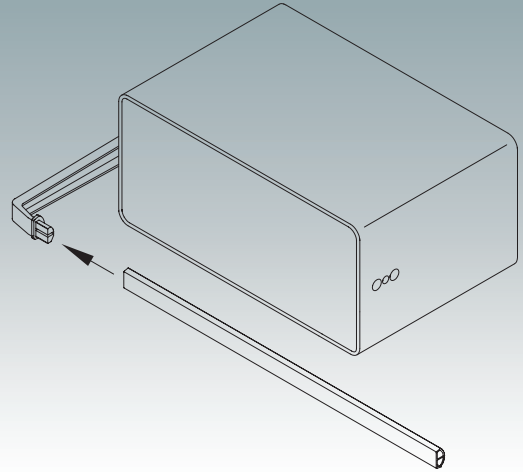
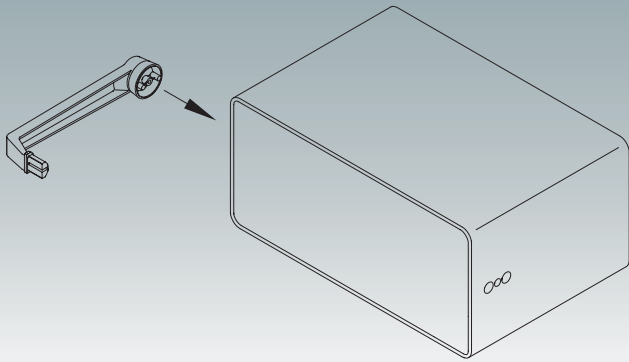
Off-white RAL 9002.
 Anthracite RAL 7016.
 Light grey RAL 7035.
 Black RAL 9005.



Supply

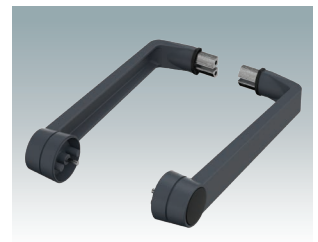
- ① Side arm (x2)
- ② Socket (x2)
- ③ Star (x2)
- ④ Spring (x2)
- ⑤ Button (x2)
- ⑥ Rubber Grip (x2)
- ⑦ M4 x 35 (x2)
- ⑧ Washer 4.3/12 (x2)
- ⑨ Washer 4.3/9 (x2)
- ⑩ M4 Nut
- ⑪ Handle Profile





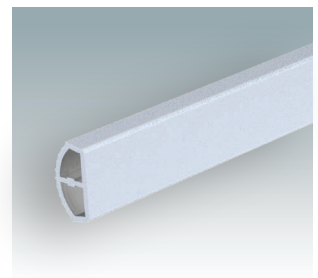
SIDE ARM KIT

Part No.	Description	Arm Colours	Push-Button Colours
A 93 00 014	Side arm kit	Off-white RAL 9002	Pebble grey RAL 7032
A 50 93 004	Side arm kit	Anthracite RAL 7016	Black RAL 9005
A 50 93 005	Side arm kit	Light grey RAL 7035	Light grey RAL 7035
A 50 93 009	Side arm kit	Black RAL 9005	Black RAL 9005



EXTRUSION PROFILE

Part No. See note**	Description	Finish	Colours
M 50 93 0-xxx	Extrusion profile	Painted, fine texture	Silver metallic, RAL 9006
M 50 93 4-xxx	Extrusion profile	Painted, fine texture	Anthracite RAL 7016
M 50 93 5-xxx	Extrusion profile	Painted, fine texture	Light grey RAL 7035
M 50 93 7-xxx	Extrusion profile	Painted, fine texture	Off-white RAL 9002
M 50 93 9-xxx	Extrusion profile	Painted, fine texture	Black RAL 9005



How to order: replace **xxx in the part number with the length required. Example: 350 mm wide enclosure, handle profile length is 324 mm (350-26). So the part number will be **M 50 93 0-324** with the handle painted in silver metallic RAL 9006. If the enclosure dimension is 350.5 mm the part number would be **M 50 93 4-324.5** with the handle painted in anthracite RAL 7016.

For full 2D drawings and 3D models please see our website.



METcase™

MANUFACTURER

Metcase Enclosures
A division of:
OKW Enclosures Ltd.
15 Brunel Way
Segensworth East
Fareham, Hampshire
PO15 5TX
United Kingdom

Telephone: +44 (0) 1489 583858
Email: sales@metcase.co.uk
Website: www.metcase.co.uk

© OKW Enclosures Ltd. All rights reserved
Catalogue Edition 1.3 – March 2025.
This catalogue will be valid until 31/12/2027.
Subject to technical modifications without notice.
Typographical and other errors do not justify any
claim for damages.
Digital Version: 03/2025e

Presented by:

Find your local sales partner here:



UNITED KINGDOM | IRELAND
OKW ENCLOSURES LTD
15 Brunel Way,
Segensworth East,
Fareham, PO15 5TX
United Kingdom
Phone: +44 (0) 1489 583858
Email: sales@metcase.co.uk
Website: www.metcase.co.uk



AUSTRALIA | NEW ZEALAND
ROLEC OKW Australia New Zealand PTY LTD
Unit 6/29 Coombes Drive, Penrith NSW 2750
Phone: +61 2 4722 3388
Email: metcase@rolec-okw.com.au
Website: www.metcase.com.au



BELGIUM | LUXEMBOURG
TelereX nv
Uilenbaan 90, 2160 WOMMELGEM, België
Tel: +32 3 326 40 00
Email: sales-be@telereX-europe.com
Website: www.metcase.co.uk



BRAZIL
sob Schurter + OKW do Brasil
Componentes Eletrônicos Ltda.
Rua Barão do Triunfo,
88 - Sala 606 Brooklin,
São Paulo/SP CEP 04602-000
Phone: +55 (11) 50 90 00 30
Email: info@sob-brasil.com
Website: www.metcase.co.uk



ISRAEL
P. Weiss
20 Ha-Ta'as st.
P.O.B. 50 Kfar-Saba, 4442520.
Phone +972 9 7677500
Email: pweiss@pweiss.co.il
Website: www.metcase.co.uk



ITALY
Alhof di A. Hofmann SPA
Via Melegnano 20,
20019 Settimo Milanese MI
Phone: (02) 28 50 08 1
Email: alhof@alhof.com
Website: www.metcase.co.uk



NETHERLANDS
TelereX Nederland B.V.
Minervum 7139, 4817 ZN BREDA
Tel: +31 76 578 20 00
Email: sales-nl@telereX-europe.com
Website: www.metcase.co.uk

www.metcase.co.uk